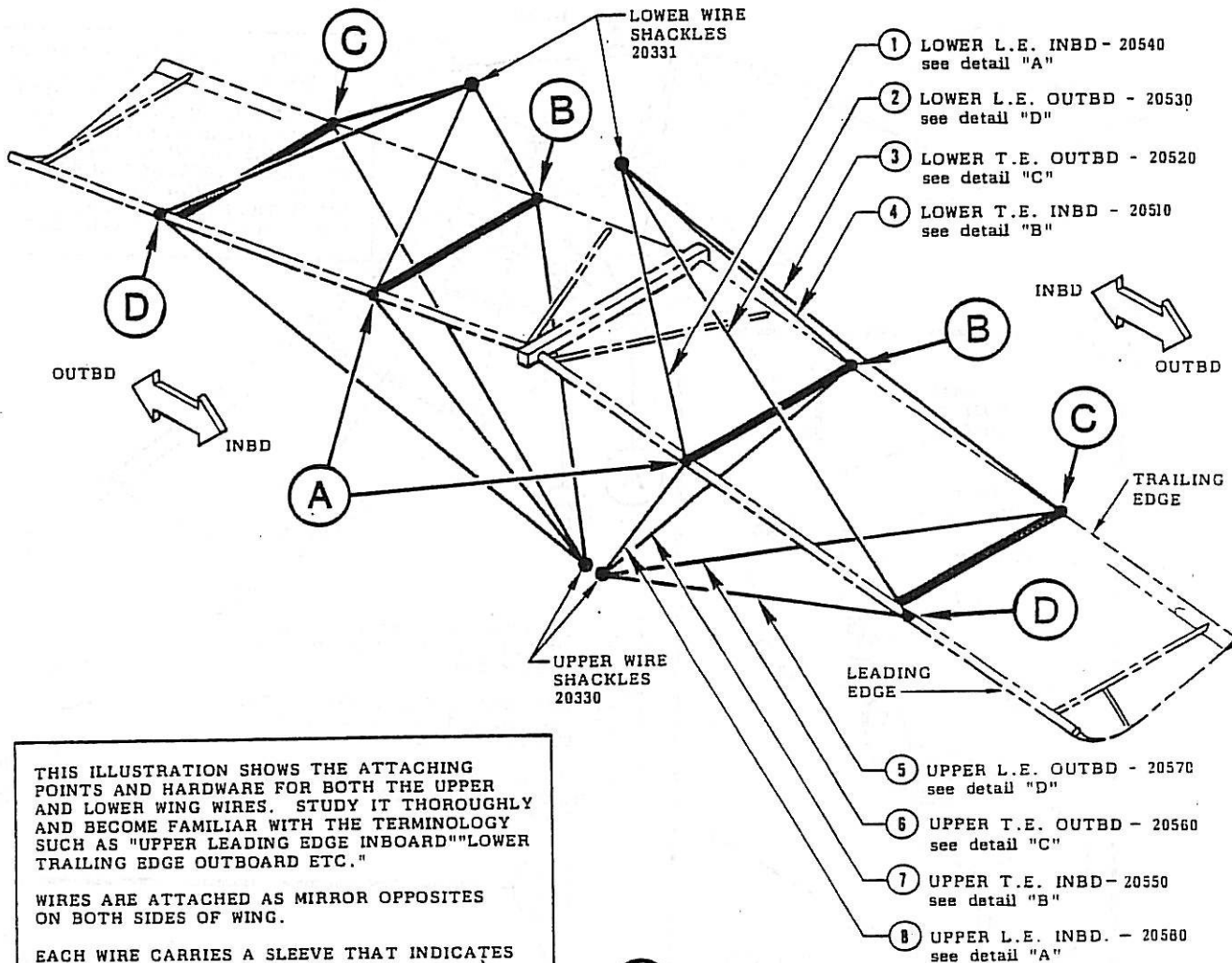


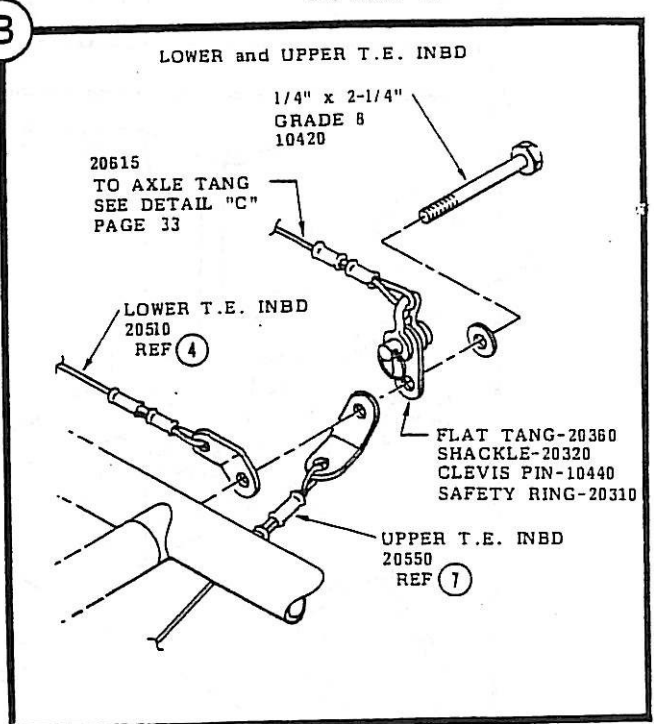
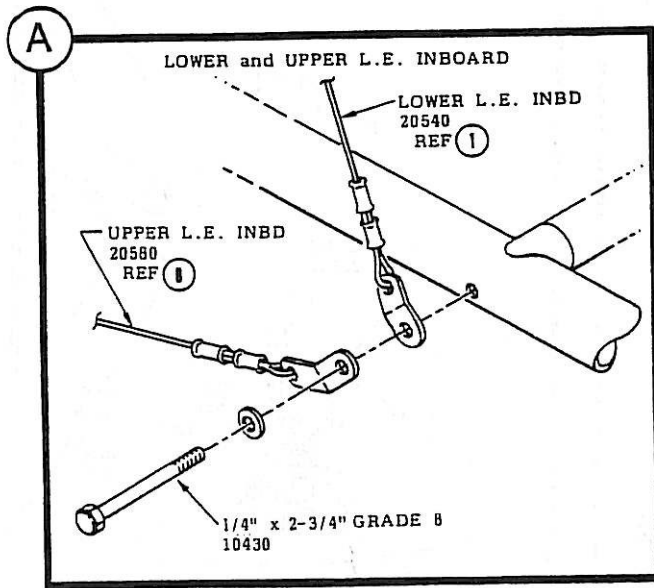
SECTION FOUR



THIS ILLUSTRATION SHOWS THE ATTACHING POINTS AND HARDWARE FOR BOTH THE UPPER AND LOWER WING WIRES. STUDY IT THOROUGHLY AND BECOME FAMILIAR WITH THE TERMINOLOGY SUCH AS "UPPER LEADING EDGE INBOARD" "LOWER TRAILING EDGE OUTBOARD ETC."

WIRES ARE ATTACHED AS MIRROR OPPOSITES ON BOTH SIDES OF WING.

EACH WIRE CARRIES A SLEEVE THAT INDICATES ITS PART NUMBER. DO NOT REMOVE THIS SLEEVE.



DETAILS CONTINUED NEXT PAGE